



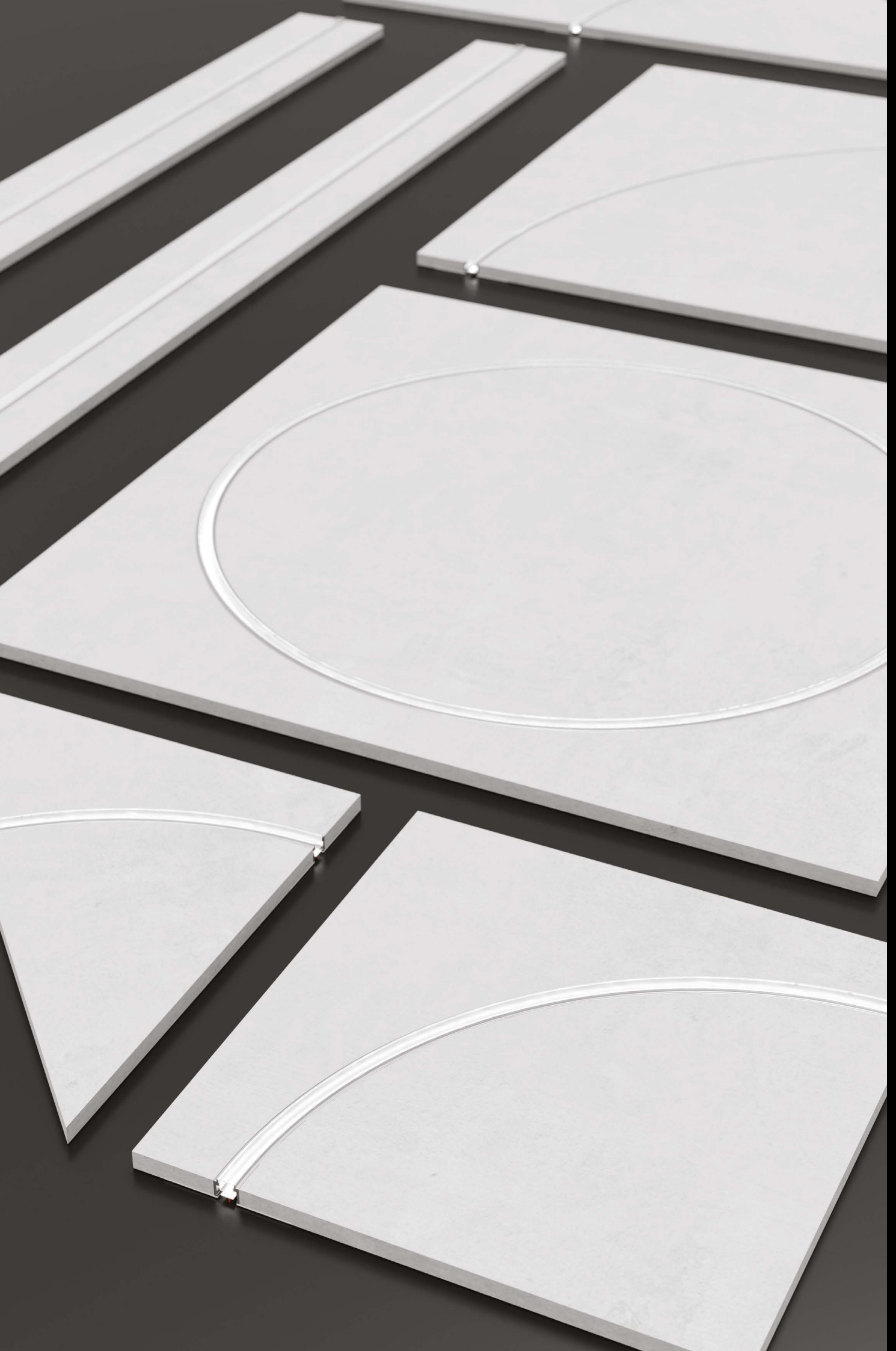
LIGHT UP YOUR **IMAGINATION**

dominos

by

novalux

ITALIAN LIGHTING DESIGN SINCE 1948

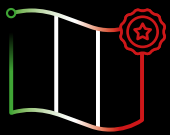


The magical evolution of the Cartoon Light world.  
A unique concept that opens up to infinite  
possibilities, a perfect synthesis between design  
and avant-garde.

domynos

**LIGHT  
SEDUCES  
SPACES WITH  
ITS CURVES**

The advantages of the Cartoon Light system join the new magnetic assembly technology of the LED modules. These are entirely designed by Novalux to create an innovative Made in Italy system, patented in Europe and the UK. Curved bright lines with perfect continuity and uniformity of luminance.



**INNOVATION  
MADE IN ITALY  
AND PATENTED  
IN EUROPE  
AND UK**

# NEW SHAPE TO YOUR IDEAS

a b c d e f g h i

j k l m n o p q

r s t u v w x y z

0 1 2 3 4 5 6 7 8 9

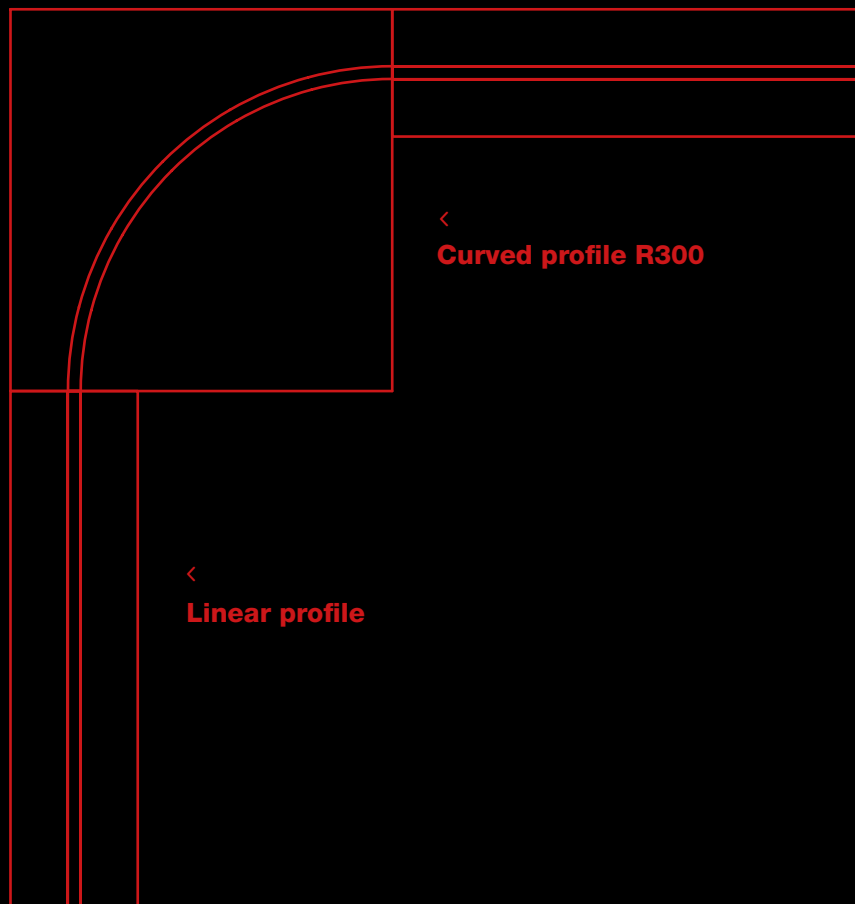
Create words and signs  
with Domynos modules



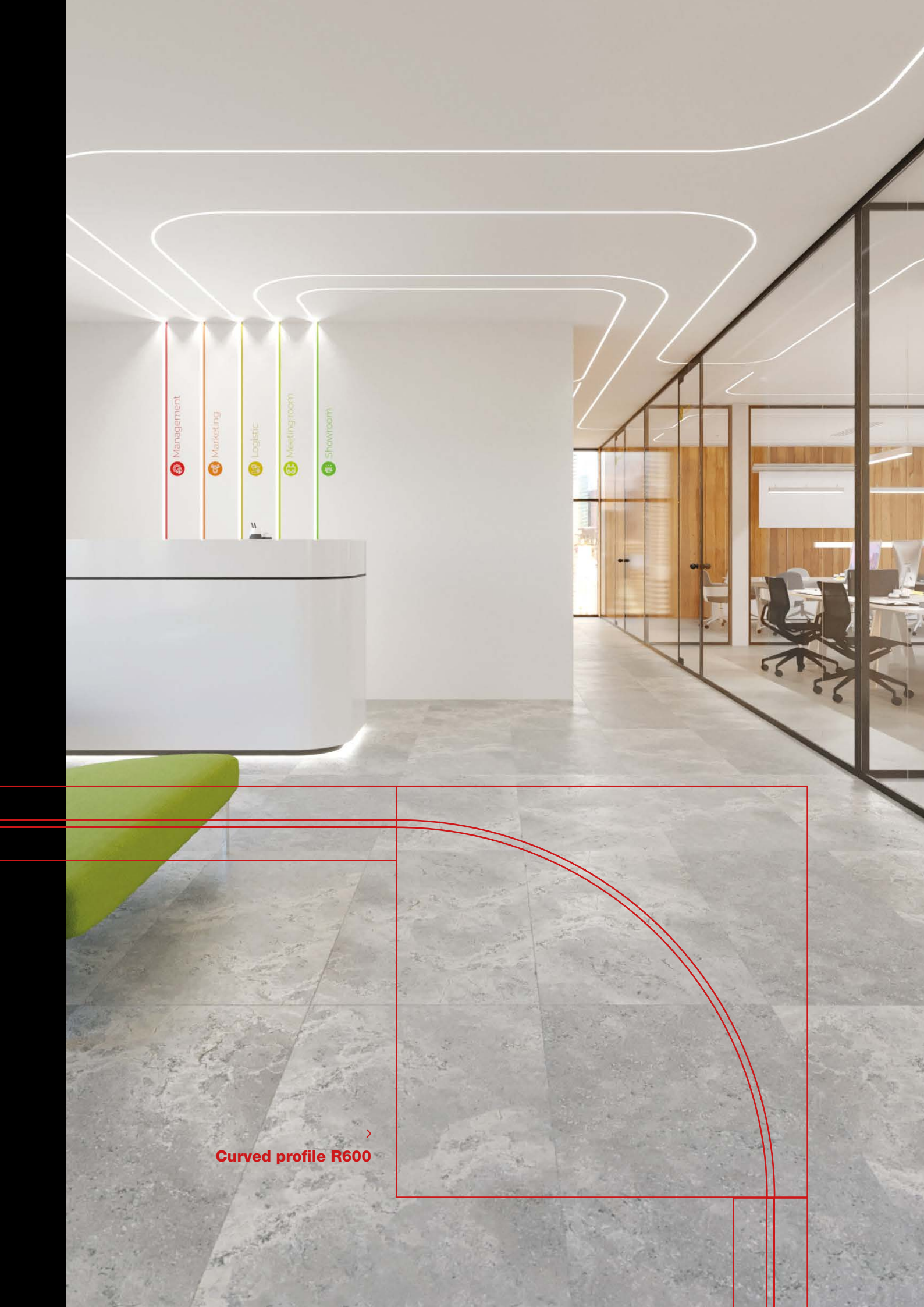
# PRECISE

A plasterboard system with extruded aluminium profile for housing linear and curved LED modules. The modules including the aluminum profile simplify and speed up the laying of the slabs and the finishing stages. The thickness of the product is 12.5 mm like a plasterboard sheet. It can be mounted on a new or existing false ceiling or one of the same thickness. The profiles, hosting the led lines, ensure a perfect finishing of the lines and an extremely precise result.

- ☑ **Accurate result**
- ☑ **Perfect finishing of the lines**
- ☑ **Labor reduction**







Management

Marketing

Logistic

Meeting room

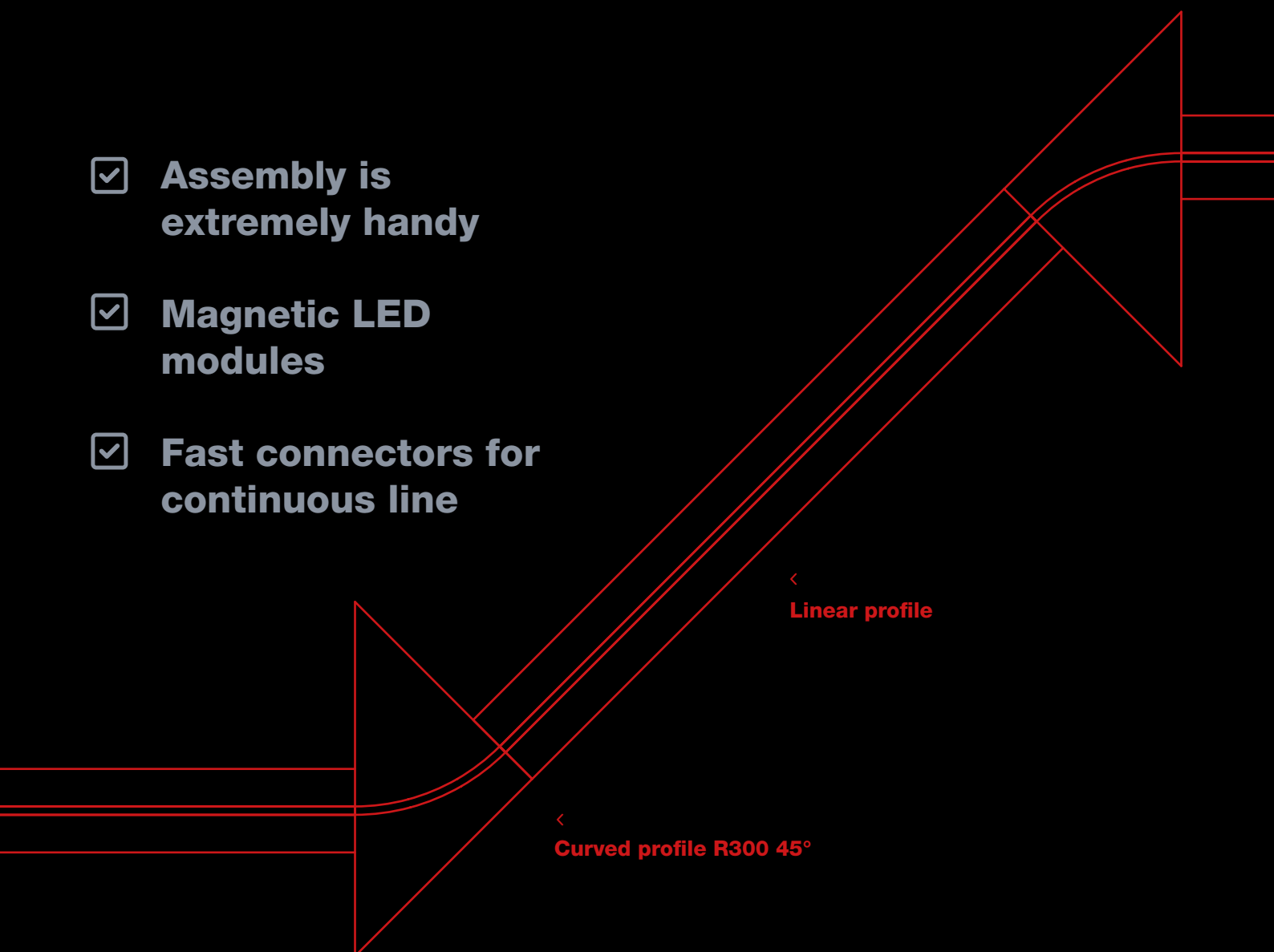
Showroom

>  
**Curved profile R600**

# PRACTICAL

Extremely easy and fast assembly, thanks to the magnetic system that guarantees the perfect union of the LED modules in a continuous line. These are designed to follow the aluminum profile with an uniform luminance. The quick connectors and electrical connection accessories eliminate welding operations on site. Each LED module is provided with identical connectors at both ends, and a special accessory for joining both sides which makes each curve identical, for maximum versatility in adding the subsequent module.

- ✓ **Assembly is extremely handy**
- ✓ **Magnetic LED modules**
- ✓ **Fast connectors for continuous line**







# MODULAR

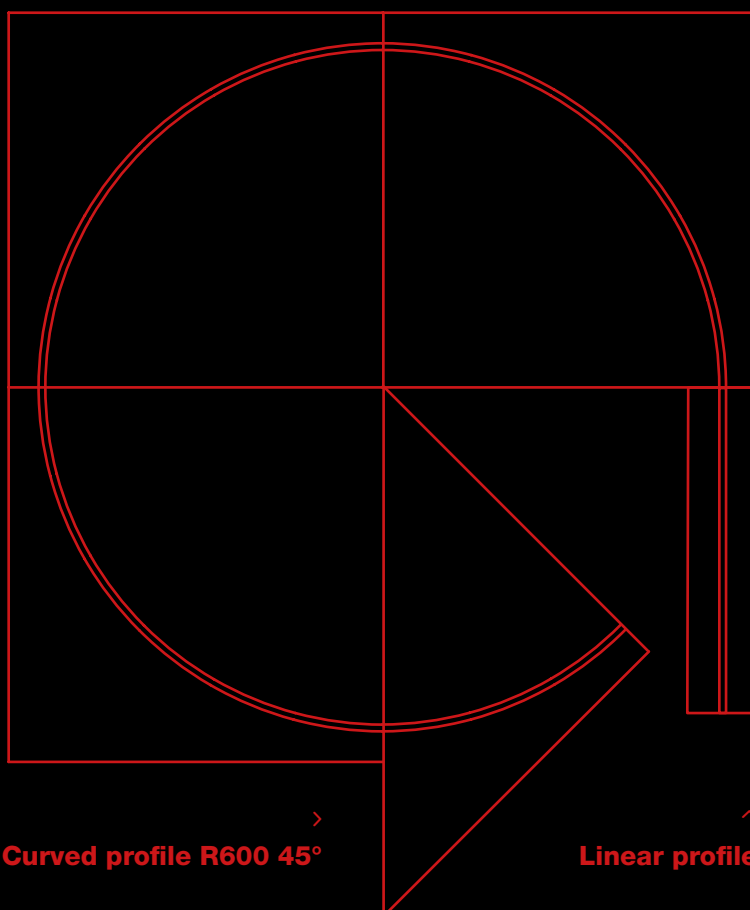
Linear and curved LED modules, designed to be mounted in continuity and draw countless shapes of lines of light. The modules available are: sheets with an aluminum arched profile with a width of 90° and 45° for radii of 300 mm and 600 mm; square plate with a complete luminous circle of radius 300 mm; linear slab of length 996 mm or 1992 mm; 996 mm linear slab with pre-blanking for cutting on site. The LED modules follow the modularity of the aluminum profiles.

- ☑ **Compoundable modules**
- ☑ **Linear, curve and circular profiles**
- ☑ **Sectional LED modules**

> **Curved profile R600 90°**

> **Curved profile R600 45°**

^ **Linear profile**

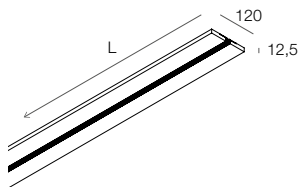




# moon bar



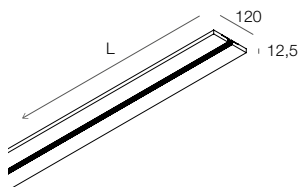
# Plasterboard



## LINEAR PROFILE

For linear LED modules L=498mm  
Shade for plastering included.  
Finishing shade to be ordered separately.

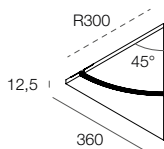
CODE	L (mm)	n° LED modules
<b>110801.99</b>	996	2
<b>110802.99</b>	1992	4



## CUTTABLE LINEAR PROFILE

For linear LED modules L=498mm  
Can be cut on site, according to the modularity of the PCB.  
Shade for plastering included.  
Finishing shade to be ordered separately.

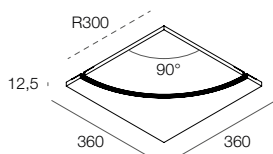
CODE	L (mm)
<b>110803.99</b>	996



## CURVED R300 45° PROFILE PANEL

For LED module R300 45°  
Shade for plastering included.  
Finishing shade to be ordered separately.

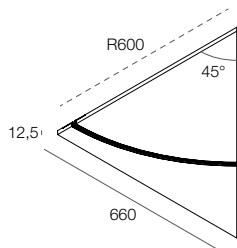
CODE	R (mm)	n° LED modules
<b>110804.99</b>	300	1



## CURVED R300 90° PROFILE PANEL

For LED module R300 90°  
Shade for plastering included.  
Finishing shade to be ordered separately.

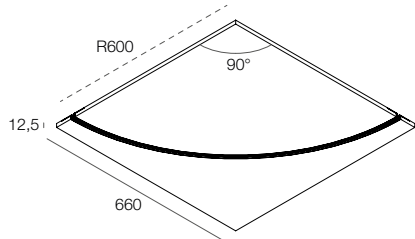
CODE	R (mm)	n° LED modules
<b>110805.99</b>	300	1



## CURVED R600 45° PROFILE PANEL

For LED module R600 45°  
Shade for plastering included.  
Finishing shade to be ordered separately.

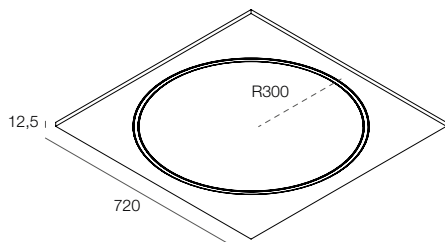
CODE	R (mm)	n° LED modules
<b>110806.99</b>	600	1



## CURVED R600 90° PROFILE PANEL

For LED module R600 90°  
Shade for plastering included.  
Finishing shade to be ordered separately.

CODE	R (mm)	n° LED modules
<b>110807.99</b>	600	1



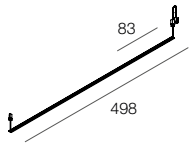
## CIRCULAR R300 90° PROFILE PANEL

For LED modules R300 90°  
Shade for plastering and finishing shade included.

CODE	R (mm)	n° LED modules
<b>110808.99</b>	300	4



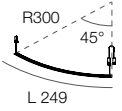
# LED Modules



## LINEAR MAGNETIC LED MODULE

48V LED module with connectors on both sides for fast continuous line connection, and magnets on the back side for profile mounting. Cuttable with 83mm modularity. In case of cutting, the line continuity is interrupted: bring power to any subsequent PCBs.

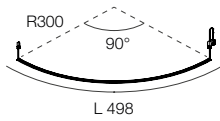
CODE	LED COLOUR	POWER	FLUX/m	L(mm)
<b>110809.99</b>	2700K	6,6W	861 lm	498
<b>110810.99</b>	3000K	6,6W	915 lm	498
<b>110811.99</b>	4000K	6,6W	978 lm	498



## MAGNETIC LED MODULE R300 45°

48V LED module with connectors on both sides for fast continuous line connection, and magnets on the back side for profile mounting.

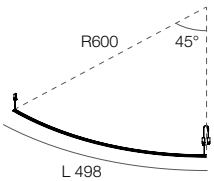
CODE	LED COLOUR	POWER	FLUX/m	L(mm)
<b>110812.99</b>	2700K	3,3W	435 lm	249
<b>110813.99</b>	3000K	3,3W	462 lm	249
<b>110814.99</b>	4000K	3,3W	493 lm	249



## MAGNETIC LED MODULE R300 90°

48V LED module with connectors on both sides for fast continuous line connection, and magnets on the back side for profile mounting.

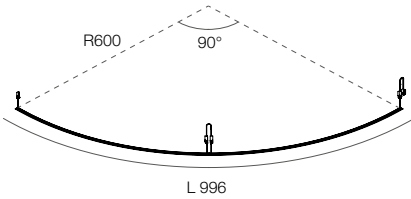
CODE	LED COLOUR	POWER	FLUX/m	L(mm)
<b>110815.99</b>	2700K	6,6W	856 lm	498
<b>110816.99</b>	3000K	6,6W	910 lm	498
<b>110817.99</b>	4000K	6,6W	971 lm	498



## MAGNETIC LED MODULE R600 45°

48V LED module with connectors on both sides for fast continuous line connection, and magnets on the back side for profile mounting.

CODE	LED COLOUR	POWER	FLUX/m	L(mm)
<b>110818.99</b>	2700K	6,6W	862 lm	498
<b>110819.99</b>	3000K	6,6W	916 lm	498
<b>110820.99</b>	4000K	6,6W	980 lm	498

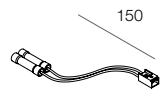


## MAGNETIC LED MODULE R600 90°

48V LED module with connectors on both sides for fast continuous line connection, and magnets on the back side for profile mounting.

CODE	LED COLOUR	POWER	FLUX/m	L(mm)
<b>110821.99</b>	2700K	13,2W	1724 lm	996
<b>110822.99</b>	3000K	13,2W	1832 lm	996
<b>110823.99</b>	4000K	13,2W	1960 lm	996

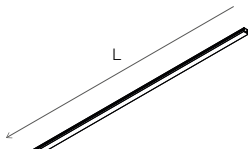
## ACCESSORIES



### LED-POWER SUPPLY CONNECTION KIT

For the electrical connection between the 48V power supply and the first LED module of the continuous line.

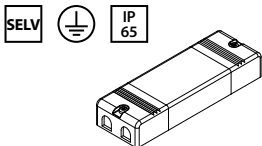
CODE	
<b>110824.99</b>	



### OPAL DIFFUSER SHADE 6m

Bendable diffuser shade, can be cut on site.

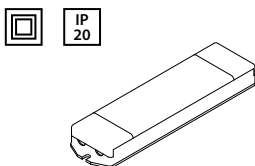
CODE	L (mm)
<b>110825.99</b>	6000



### ELECTRONIC STABILIZED DRIVER 48V 220-240V 50/60Hz

Dimming with addition of 105914.99/105923.99 dimming interface. LED-power supply connection kit to be ordered separately.

CODE	POWER
<b>101314.99</b>	100W
<b>101337.99</b>	150W
<b>101313.99</b>	320W



### INTERFACE FOR DIMMING 48Vdc

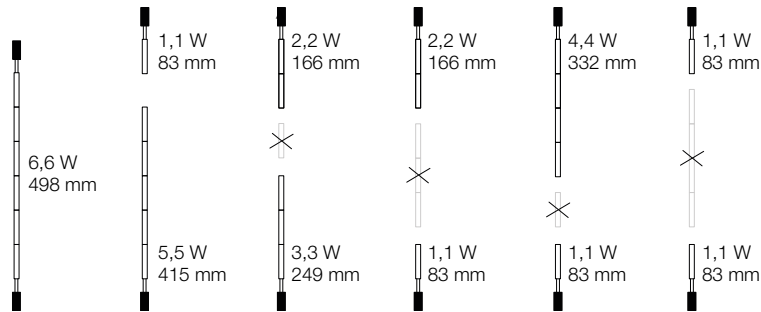
To be associated with one driver 48Vdc.

CODE	
<b>105914.99</b>	DALI / PUSH / 0-10V / 1-10V
<b>105923.99</b>	TRIAC / IGBT

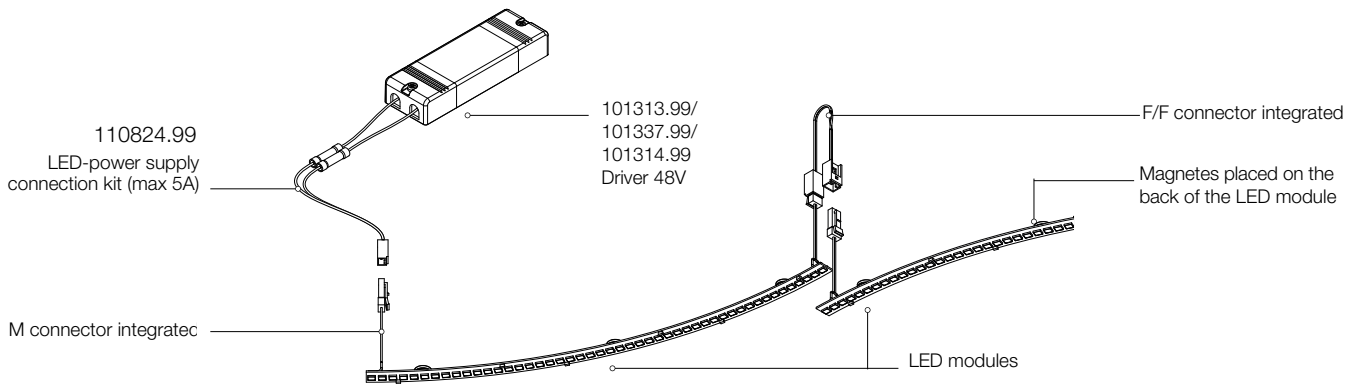


## Linear LED magnetic module

The linear LED modules can be sectioned every 83 mm. The end cut is not provided with a connector therefore the current continuity is interrupted and the subsequent modules must be re-powered. A maximum of two usable segments can be derived from one module.

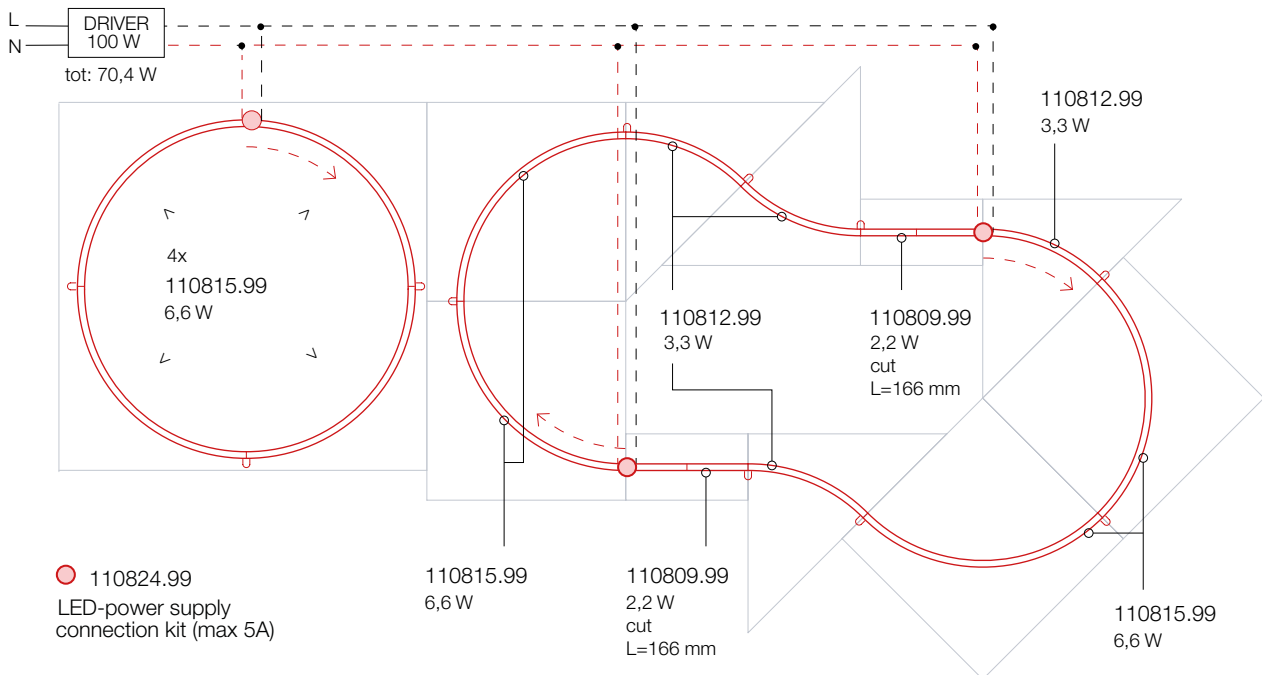


## Connection of quick connectors



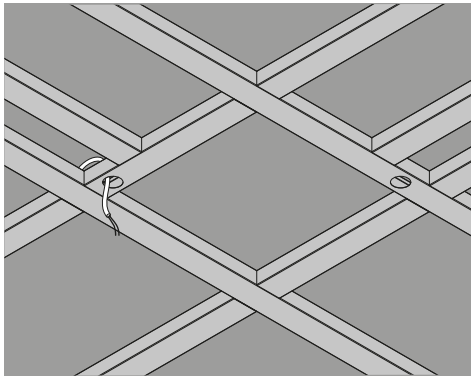
## Composition example - LED MODULES R30C

Maximum power in continuous line 240W (18 m)



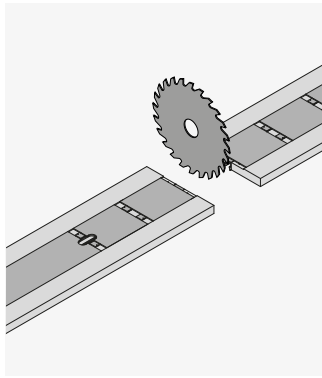


# Assembly instructions



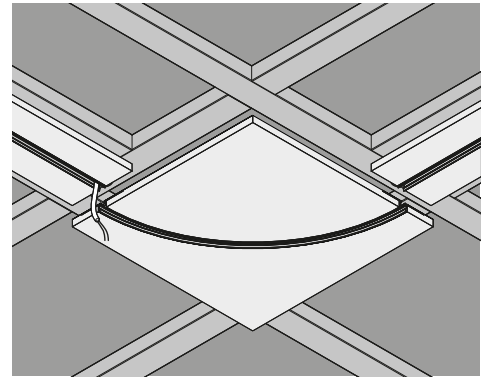
**1**

Assemble the false ceiling structure and prepare the 48V power cables. Where the slots in the Domynos profile coincide with the structure, drill a 12 mm hole in the upright.



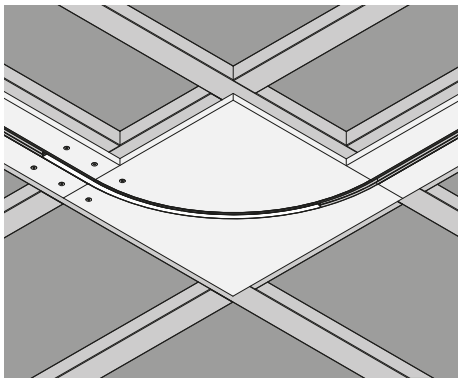
**2**

Prepare any modules to be cut by following the pre-cutting of the sheet metal on the back of the profile.



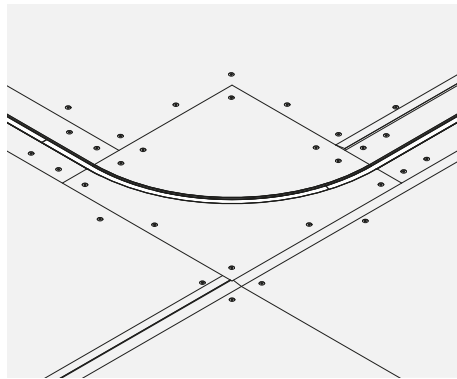
**3**

Mount the plasterboard slabs by passing the cable provided through the slot.



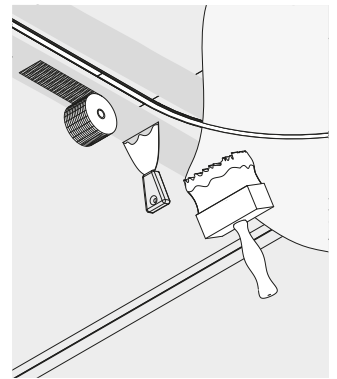
**4**

Use the supplied screen as a guide for perfect plate alignment.



**5**

Complete the plasterboard false ceiling.



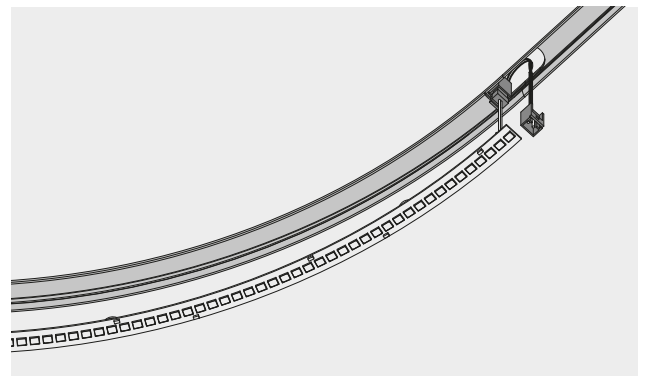
**6**

Fill, smooth and paint.



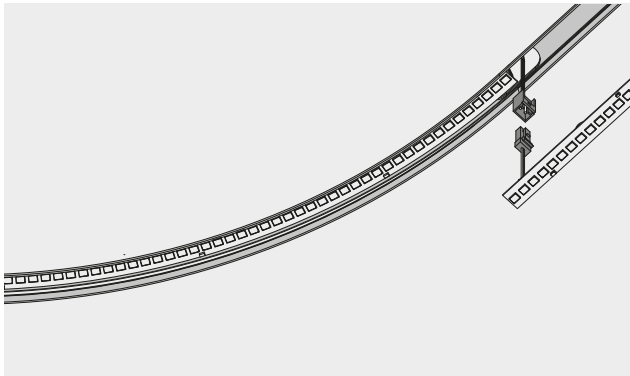
**7**

Connect the power cables with the LED-power supply connection kit, connect the LED module to it using the quick connector and house it behind the panel through the slot.



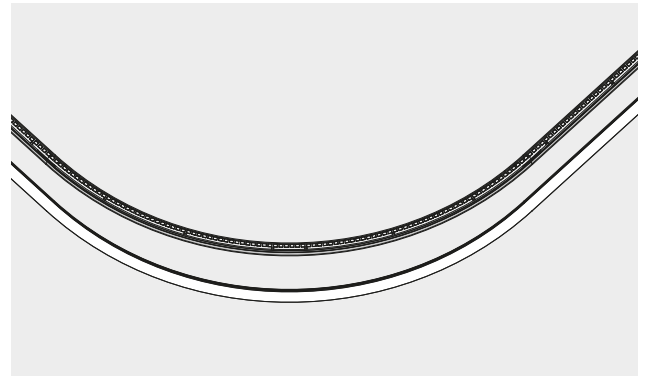
**8**

Mount the LED module using the magnetic hook and insert the cable into the slot, making the connector come out to connect it to the next LED module.



**9**

Continue with the same procedure for any subsequent modules.



**10**

Cut and fit the 6m opal screen.





# ECO-FRIENDLY

DOMYNOS embraces sustainability, choosing plastic-free packaging, a fully recyclable aluminum profile, highly energy-efficient LEDs and drivers. It's Novalux green vision: environmental, social and economic sustainability are now parts our business, for the protection of the environment and for a better planet.



**Plastic-free  
pack**

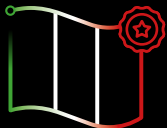


**Recyclable  
aluminum**



**High Efficiency  
LEDs and drivers**

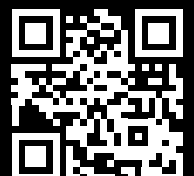




**Innovation made in Italy  
and patented in Europe and UK**



**Enter the Novalux world:  
watch the video and discover  
more about Domyos**





**novalux**  
ITALIAN LIGHTING DESIGN SINCE 1948

**Novalux srl**  
Via Marzabotto, 2  
40050 Funo di Argelato  
Bologna Italy  
Tel. +39 051 860558

**novalux.com**

Company activities managed  
and coordinated by SLV GmbH